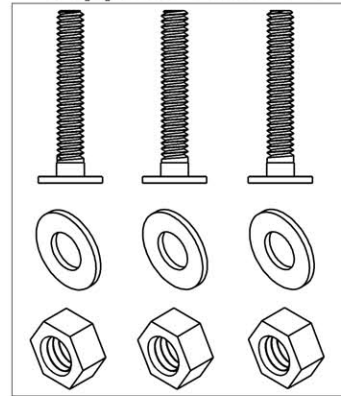


LEE

LEE PRECISION, INC.

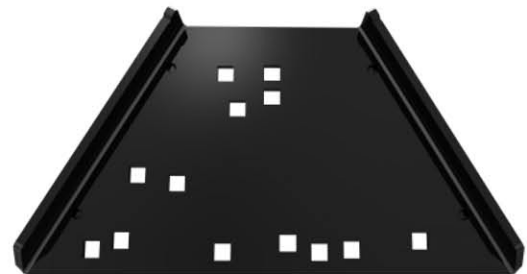
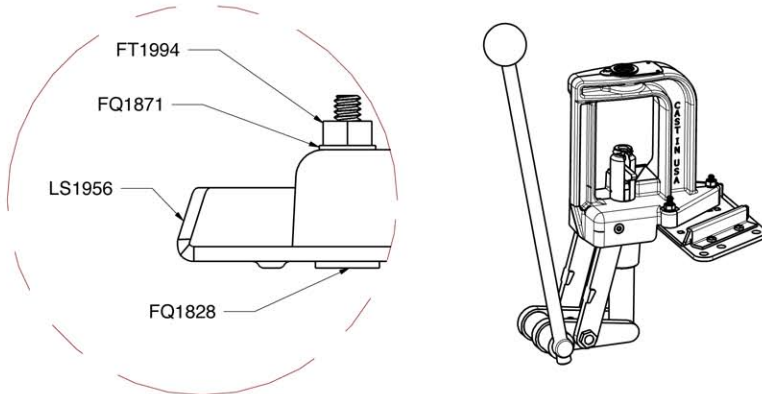
Steel Bench Block Instructions

Supplied Fasteners



ITEM	QUANTITY	DESCRIPTION
FQ1828	3	1.5" ELEVATOR BOLT
FT1994	3	1/4"-20 NUT
FQ1871	3	1/4" SAE FLAT WASHER
LS1956	1	STEEL BENCH BLOCK

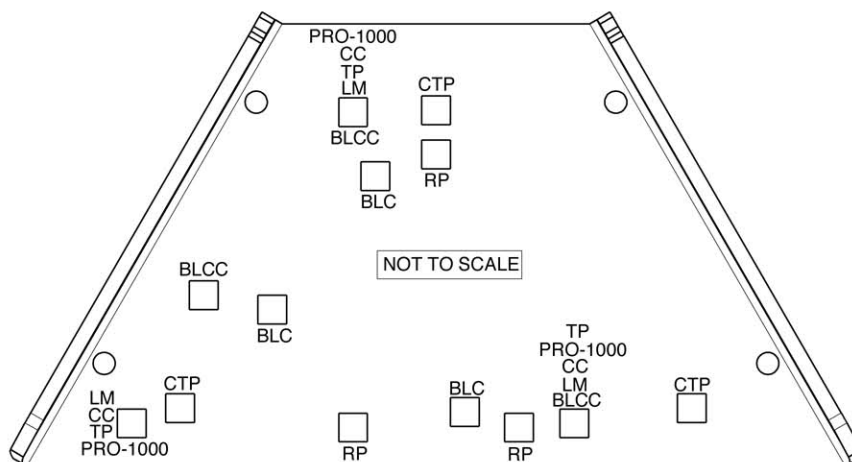
Reloading Press Installation Diagram



Steel Bench Block
LS1956

The Lee Steel Bench Block is designed to work in conjunction with the Patented Lee Bench Plate system, featured on the quick change Lee Bench Plate and Lee Reloading Stand. Thick steel construction with durable and attractive finish is sure to be a great addition to your reloading setup. Integrated tabs on plate ensure positive location and proper plate retention.

WARNING: Only use provided elevator bolts to mount press to steel bench block. Steel Bench Block comes with holes for all current presses listed below.



CTP	CLASSIC TURRET PRESS
LM	LOAD MASTER
RP	RELOADER PRESS
BLC	BREECH LOCK CHALLENGER
BLCC	BREECH LOCK CLASSIC CAST
CC	CLASSIC CAST
PRO-1000	PRO-1000
TP	3 & 4 HOLE TURRET PRESS

LEE PRECISION, INC.
4275 Highway U
Hartford, WI 53027
1-262-673-3075

www.leeprecision.com